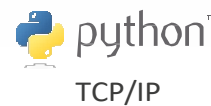


MovingCap shortTRACK

An electric short stroke cylinder that takes the air out of your system.

MovingCap shortTRACK, our electric short-stroke cylinder, for applications in production, series and special machines.

The compact design, high accuracy, dynamics and service life are complemented by easy commissioning.



Short-stroke cylinder MovingCap shortTRACK with integrated control electronics

The facts:

- Integrated absolute encoder measuring system
- Integrated motor controller
- EC motor drive
- TCP/IP or CANopen interface
- Programming functionality
- Integrated "onboard" commissioning interface
- Digital inputs for easy I/O control
- Digital outputs for easy I/O control
- Different operating modes according to Cia DS402
- LED status display according to Cia DS303
- Construction in robust metal housing
- Plug connections in standardized M12 industry standard
- Python command interpreter for customer-specific application and motion profiles
- Easy service due to replaceable plunger
- Scalable mechanics

The shortTRACK basic variants

shortTRACK 45S100	stroke 45mm - force 125N (max.300N)	- speed 500mm/s
shortTRACK 45S150	stroke 45mm - force 83N (max. 200N)	- speed 750mm/s
shortTRACK 45S240	stroke 45mm - force 52N (max. 125N)	- speed 1200mm/s

The shortTRACK L - variants

shortTRACK 80S100	stroke 80mm - force 125N (max.300N)	- speed 500mm/s
shortTRACK 80S150	stroke 80mm - force 83N (max. 200N)	- speed 750mm/s
shortTRACK 80S240	stroke 80mm - force 52N (max. 125N)	- speed 1200mm/s
shortTRACK 115S100	stroke 115mm - force 125N (max.300N)	- speed 500mm/s
shortTRACK 115S150	stroke 115mm - force 83N (max. 200N)	- speed 750mm/s
shortTRACK 115S240	stroke 115mm - force 52N (max. 125N)	- speed 1200mm/s

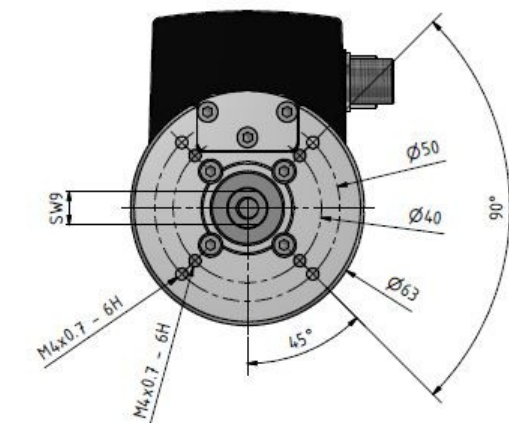
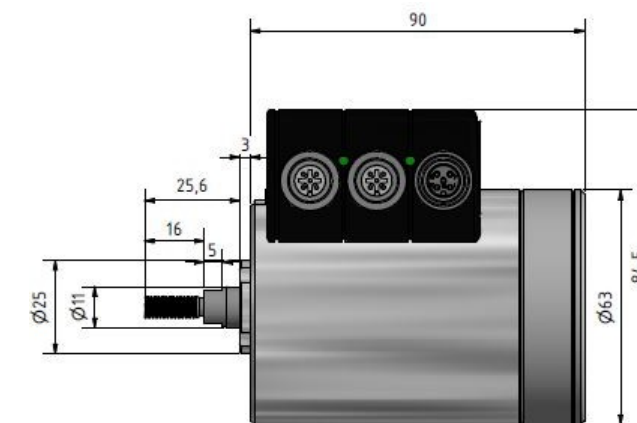
Motor Data:

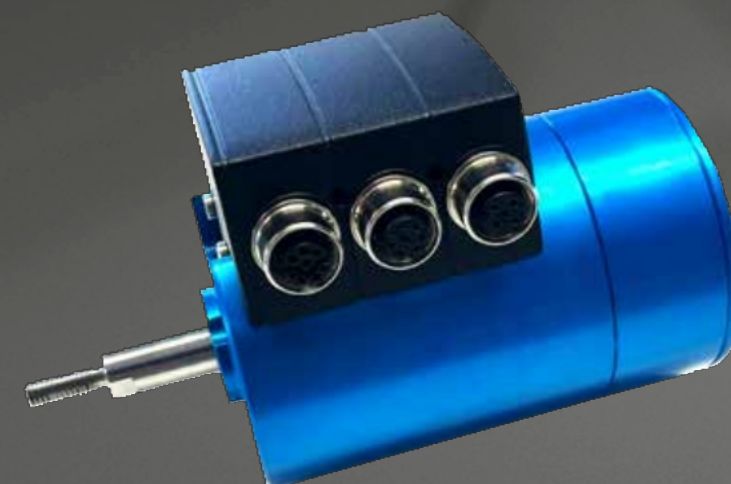
Type		MovingCap shortTRACK
Rated voltage (motor):	Vdc	24 - 48
Rated voltage (logic)	Vdc	24
Nominal force	N	125 / 83 / 52
Top power	N	300 / 200 / 125
Rated current	A	5
Peak current	A	12
Encoder resolution	Inc	4096
Repeatability encoder	Inc	+/- 2
Protection class	IP	54
Perm. ambient temperature	°C	0...+40
Weight	kg	x,xx

*dependent on variant and supply voltage

Dimensions MovingCap shortTRACK:

Basic variant shortTRACK45





Fullmo gmbh
Robert-Bosch-Strasse 5
88677 Markdorf

Tel. +49 7544 30 73 39-0
Fax +49 7544 30 73 39-9

Mail info@fullmo.de
Web www.fullmo.de

MovingCap shortTRACK
Electric short stroke cylinder
Absolute positioning. Simple. Strong.